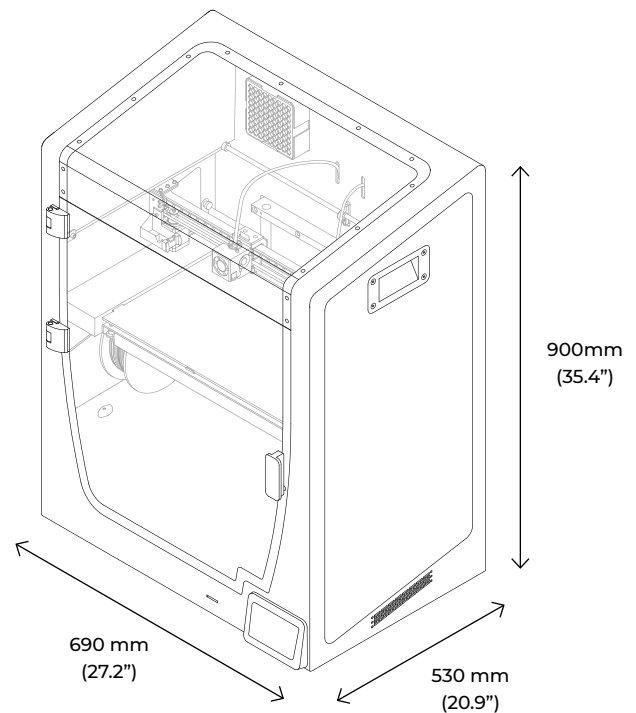
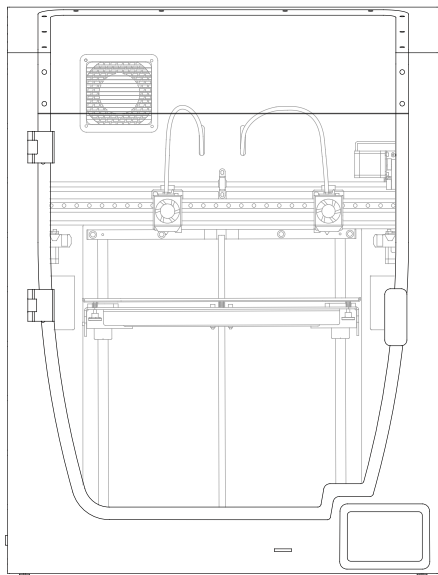


Specifications



BCN3D Epsilon W50



Printer properties

| | |
|-------------------------------|---|
| 3D Printing Technology | Fused Filament Fabrication (FFF) |
| Architecture | Independent Dual EXtruder (IDEX) |
| Printing volume | 420mm x 300mm x 400mm (16.5" x 11.8" x 15.8") |
| Build chamber | Passive Heated Chamber Fully enclosed Safety Pause |
| Air filtering | Category H13 HEPA filter Active Carbon filter |
| Number of extruders | 2 |
| Warranty | 2 years for EU countries 1 year for non-EU countries |
| Extruder system | Extruder Bondtech™ high-tech dual drive gears Hotends optimized and manufactured by e3D™ |
| Printing modes | Single mode Duplication mode Mirror mode Multimaterial mode Soluble Supports mode |
| Electronics | Single Board Computer: Toradex ARM Compute Module Motion Board: BCN3D Electronics with Independent Stepper Drivers |

Specifications



BCN3D Epsilon W50

Printer properties

| | |
|---------------------|--|
| Firmware | BCN3D Embedded Linux distribution BCN3D Epsilon - Marlin |
| Heated bed | Silicone thermal pad |
| Screen | 5" full color capacitive touchscreen |
| Supported languages | Spanish English German French Italian Japanese Portuguese Chinese |
| Supported files | *.gcode |
| Operating sound | 49 dB(A) |
| Nozzle diameter | Brass nozzle: 0,4mm (default) 0,6mm 0,8mm 1,0mm Hotend X: 0,6mm |
| Certifications | CE / FCC |
| Connectivity | Offline printing: SD card Online printing: WiFi or Ethernet (through BCN3D Cloud) |

Materials

| | |
|----------------------|---|
| Filament diameter | 2,85 ± 0,05 mm |
| Compatible materials | Standard materials: PLA, Tough PLA, PET-G, TPU 98A, PVA, BVOH Technical materials: ABS, PP, PA Composite materials (only with Hotend X): PP GF30, PAHT CF15 |
| Open filament system | Yes |

Physical properties

| | |
|-------------------------|--|
| Overall dimensions | 690mm (W) x 530mm (D) x 900mm (H) (27.2" x 20.9" x 35.4") |
| Weight | 37kg (81.6 lb) |
| Shipping box dimensions | 800mm (W) x 600mm (D) x 1370mm (H) (31.5" x 23.6" x 53.9") |
| Shipping weight | 62kg (136.7 lb) |
| Shipping method | Half Europallet |

Specifications



BCN3D Epsilon W50

Printing properties

| | |
|------------------------------------|--|
| Recommended profiles | Layer height: 0,2mm 0,3mm 0,4mm (depending on nozzle diameter) |
| Layer height | 0,05mm - 0,5mm (custom profiles) |
| Positioning resolution (X / Y / Z) | 1,25µm / 1,25µm / 1µm |
| Operating temperature | 15 °C - 30 °C |
| Extruder maximum temperature | 300 °C |
| Heated bed maximum temperature | 120 °C |
| Build chamber maximum temperature | 60 °C (depending on operating temperature) |

Electric Properties

| | |
|---------------------------|-----------------------------------|
| Input | AC 100-240V, AC 8,4-3,5A, 50-60Hz |
| Maximum power consumption | 840W |

Software

| | |
|---------------------------|---|
| File preparation software | BCN3D Stratos |
| Operating Systems | Windows, Mac, Linux |
| Supported files | STL, 3MF, OBJ, AMF, DAE, ZAE, CTM, PLY, X3D, GLB, GLTF |
| Wireless connectivity | BCN3D Cloud |
| Supported browsers | Google Chrome, Mozilla Firefox, Microsoft Edge, Safari, Opera |