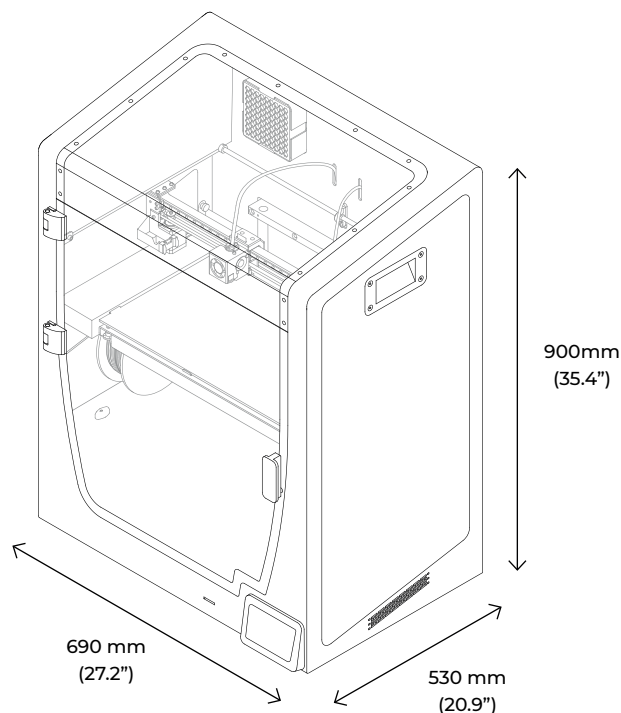
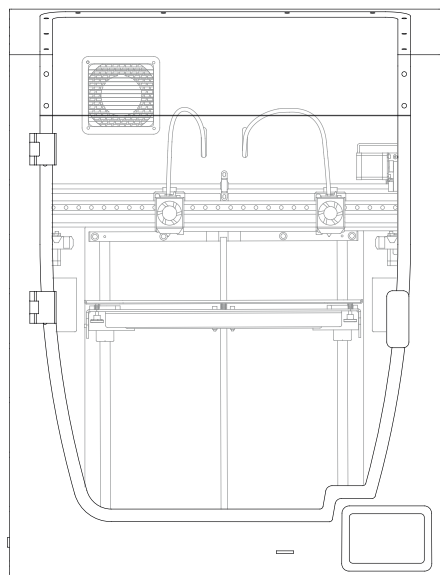


# Specifications



## BCN3D Epsilon W50



### Printer properties

<b>3D Printing Technology</b>	Fused Filament Fabrication (FFF)
<b>Architecture</b>	Independent Dual EXtruder (IDEX)
<b>Printing volume</b>	420mm x 300mm x 400mm (16.5" x 11.8" x 15.8")
<b>Build chamber</b>	Passive Heated Chamber Fully enclosed Safety Pause
<b>Air filtering</b>	Category H13 HEPA filter Active Carbon filter
<b>Number of extruders</b>	2
<b>Warranty</b>	2 years for EU countries 1 year for non-EU countries
<b>Extruder system</b>	Extruder Bondtech™ high-tech dual drive gears Hotends optimized and manufactured by e3D™
<b>Printing modes</b>	Single mode Duplication mode Mirror mode Multimaterial mode Soluble Supports mode
<b>Electronics</b>	Single Board Computer: Toradex ARM Compute Module Motion Board: BCN3D Electronics with Independent Stepper Drivers

# Specifications



## BCN3D Epsilon W50

### Printer properties

Firmware	BCN3D Embedded Linux distribution BCN3D Epsilon - Marlin
Heated bed	Silicone thermal pad
Screen	5" full color capacitive touchscreen
Supported languages	Spanish English German French Italian Japanese Portuguese Chinese
Supported files	*.gcode
Operating sound	49 dB(A)
Nozzle diameter	Brass nozzle: 0,4mm (default)   0,6mm   0,8mm   1,0mm Hotend X: 0,6mm
Certifications	CE / FCC
Connectivity	Offline printing: SD card Online printing: WiFi or Ethernet (through BCN3D Cloud)

### Materials

Filament diameter	2,85 ± 0,05 mm
Compatible materials	Standard materials: PLA, PET-G, TPU 98A, PVA Technical materials: ABS, PP, PA Composite materials (only with Hotend X): PP GF30, PAHT CF15
Open filament system	Yes

### Physical properties

Overall dimensions	690mm (W) x 530mm (D) x 900mm (H) (27.2" x 20.9" x 35.4")
Weight	37kg (81.6 lb)
Shipping box dimensions	800mm (W) x 600mm (D) x 1230mm (H) (31.5" x 23.6" x 48.4")
Shipping weight	50kg (110.2 lb)
Shipping method	Half Europallet

# Specifications



## BCN3D Epsilon W50

### Printing properties

Recommended profiles	Layer height: 0,2mm   0,3mm   0,4mm (depending on nozzle diameter)
Layer height	0,05mm - 0,5mm (custom profiles)
Positioning resolution (X / Y / Z)	1,25µm / 1,25µm / 1µm
Operating temperature	15 °C - 30 °C
Extruder maximum temperature	300 °C
Heated bed maximum temperature	120 °C
Build chamber maximum temperature	60 °C (depending on operating temperature)

### Electric Properties

Input	AC 100-240V, AC 8,4-3,5A, 50-60Hz
Maximum power consumption	840W

### Software

File preparation software	BCN3D Cura
Operating Systems	Windows, Mac, Linux
Supported files	STL, 3MF, OBJ, AMF
Wireless connectivity	BCN3D Cloud
Supported browsers	Google Chrome, Mozilla Firefox, Microsoft Edge, Safari, Opera